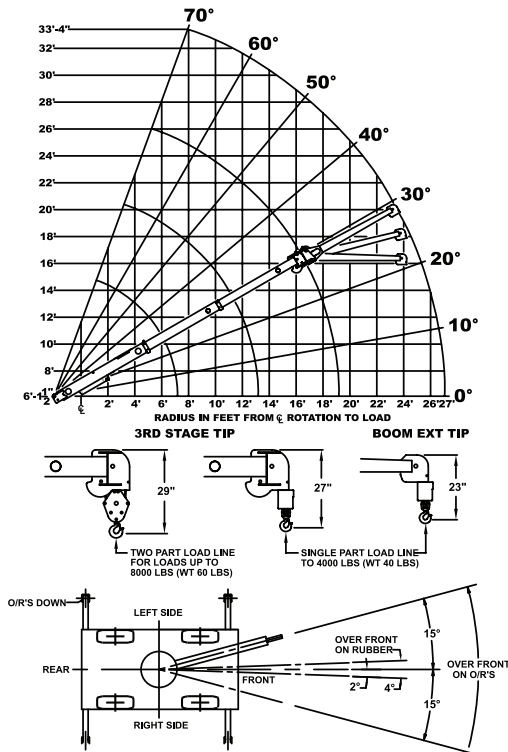


Load Chart US Standard



Load radius is the horizontal distance from the center of rotation of the unloaded crane to the vertical load line with the load applied.

Load hooks, downhaul weights, hook blocks, and other load handling devices except hoist rope shall be considered part of the load.

Pick and carry with the shortest practical boom, centered over the front. Operate with the boom as low as possible, with the load close to the ground. Pick and carry capacities are for smooth, level paved surface.

Deck load 6000 lbs max, centered between wheels, with no boom load. Deck loads must be centered behind the front axle. Speed must be less than 2 mph. Maximum travel 200 ft. In 30 minutes.

CAPACITIES APPLY TO OPERATION ON FIRM LEVEL SURFACE									
LOAD RADIUS FEET	MAIN BOOM OR EXTENSION CAPACITIES IN POUNDS								
	360° ROTATION			OVER FRONT					
	ON RUBBER	ON OUTRIGGERS	ON RUBBER	ON OUTRIGGERS	ON RUBBER	ON OUTRIGGERS			
4	5000	8000	6700	8000					
5	4000	6800	5800	6800					
6	2850	5850	5100	5850					
8	1800	4150	3500	4150					
10	1250	3200	2350	3400					
12	900	2350	1750	2850					
14	700	1850	1350	2450					
16	600	1500	1100	2150					
18	500	1250	950	1950					
19	450	1150	900	1850					
20	400	1100	850	1600					
22	300	900	700	1450					
24	250	800	600	1300					
26	200	700	500	1150					
27	150	650	450	1100					
8' BOOM EXTENSION	BOOM EXTENSION - 8-FOOT BOOM EXTENSION - STRAIGHT OR OFFSET								
	MAIN BOOM ANGLE								
	ANGLE	0°	10°	20°	30°	40°	50°	60°	70°
	+* 0°	1100	1200	1300	1450	1600	1850	2300	3500
* 15°	—	—	1100	1250	1350	1500	1700	2050	
* 30°	—	—	—	1100	1200	1300	1450	1600	

+ USE 0° FOR STRAIGHT BOOM EXTENSION * USE 0°, 15° or 30° FOR OFFSET BOOM EXTENSION

The booms on this unit are all steel and have no line voltage rating.

The load hoist line on this unit must be 3/8" dia. 6X36 EIP IWRC wire rope with a minimum breaking strength of 15,100 lbs.

OPERATION

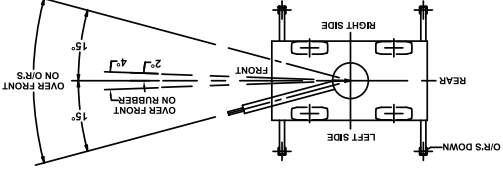
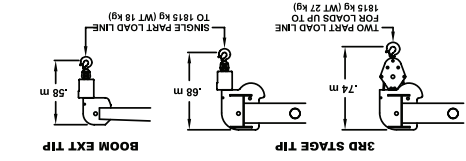
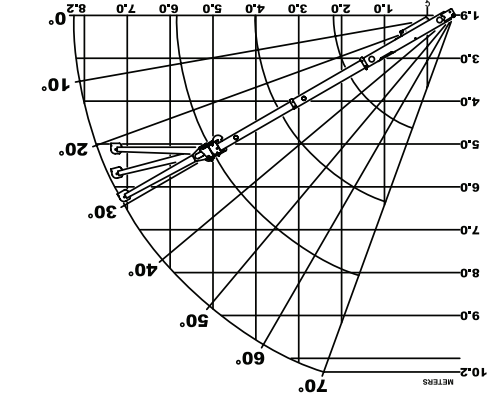
1. Read and understand owners manual before operating this crane.
2. Check level of engine oil and hydraulic oil daily.
3. Check unit for visible defects daily.
4. Extend outriggers fully if possible. If not, use "on rubber" chart.
5. Avoid quick starts and stops when operating or driving crane.

TIRE PRESSURE: 145 PSI FOR 7.50 X 10-16PL. MAXIMUM HYDRAULIC PRESSURE 2600 PSI.

EXCEEDING CAPACITY RATINGS OR APPLYING SIDE LOADS THE THE BOOM OR BOOM EXTENSION IS MISUSE, HAZARDOUS, AND VOIDS WARRANTY.

CAUTION: BOOM EXTENSION LOADS MUST NOT EXCEED MAIN BOOM CAPACITY. BOOM EXTENSION MAY ONLY CARRY LOADS WITH OUTRIGGERS DOWN. BOOM EXTENSION DEDUCT: 100 LBS. WHEN STOWED ON BASE BOOM. DO NOT PICK AND CARRY WITH LOADS ON BOOM EXTENSION. ENSURE ANTI-TWO-BLOCK SWITCH IS FUNCTIONAL AFTER DEPLOYING OR STOWING BOOM EXTENSION.

CAPACITIES ON OUTRIGGERS OUT & DOWN ARE 85% OF TIPPING LOADS. CAPACITIES ON RUBBER ARE 75% OF TIPPING LOADS. CAPACITIES BELOW BOLD LINE ARE LIMITED BY TIPPING. OTHER CAPACITIES ARE LIMITED BY STRUCTURAL OR HYDRAULIC CAPABILITY.



Load radius is the horizontal distance from the center of rotation of the unloaded crane to the vertical load line with the load applied.

Load hooks, downhaul weights, hook blocks, and other load handling devices except hoist rope shall be considered part of the load.

Pick and carry with the shortest practical boom, centered over the front. Operate with the boom as low as possible, with the load close to the ground. Pick and carry capacities are for smooth, level paved surface.

Deck load 2720 kg max, centered between wheels, with no boom load. Deck loads must be less than 3 km/h. Maximum travel 60m in 30 minutes.

CAPACITIES APPLY TO OPERATION ON FIRM LEVEL SURFACE

LOAD RADIUS METERS	360° ROTATION OVER FRONT		ON RUBBER		ON RUBBER		2.44 m BOOM EXTENSION - STRAIGHT OR OFFSET	BOOM EXTENSION MAIN BOOM ANGLE	ANGLE	2.44 m BOOM EXTENSION * USE 0°, 15° or 30° FOR OFFSET BOOM EXTENSION
	ON RUBBER	ON RUBBER	ON RUBBER	ON RUBBER	ON RUBBER	ON RUBBER				
1.2	2260	3620	3040	3630	1850	3120	2650	3120	1.5°	—
1.5	1850	3120	2650	3120	1850	3120	2420	3120	3.0°	—
2.0	1090	2420	2120	2420	1090	2420	1830	2420	4.0°	500
2.5	780	1830	1520	1830	780	1830	1480	1830	5.0°	590
3.0	580	1480	1090	1480	580	1480	1160	1480	6.0°	660
3.5	440	1160	850	1160	440	1160	920	1160	7.0°	720
4.0	350	920	680	920	350	920	770	920	10.0°	—
4.5	300	770	560	770	300	770	650	770	15.0°	—
5.0	260	650	480	650	260	650	520	650	20.0°	500
5.8	200	520	410	520	200	520	430	520	30.0°	540
6.0	190	500	390	500	190	500	340	500	40.0°	590
6.5	150	430	340	430	150	430	290	430	50.0°	660
7.0	120	380	290	380	120	380	250	380	60.0°	720
7.5	100	350	250	350	100	350	220	350	70.0°	770
8.2	70	290	200	290	70	290	150	290	—	930

The booms on this unit are all steel and have no line voltage rating. The load hoist line on this unit must be 10mm. 6X36 EIP IWRC wire rope with a minimum breaking strength of 67 kN.

OPERATION

1. Read and understand owners manual before operating this crane.
2. Check level of engine oil and hydraulic oil daily.
3. Check unit for visible defects daily.
4. Extend outriggers fully if possible. If not, use "on rubber" chart.
5. Avoid quick starts and stops when operating or driving crane.

TIRE PRESSURE: 1000 kPa FOR 7.50 X 10-16PL. MAXIMUM HYDRAULIC PRESSURE 180 BAR.

EXCEEDING CAPACITY RATINGS OR APPLYING SIDE LOADS TO THE BOOM OR BOOM EXTENSION IS MISUSE, HAZARDOUS, AND VOIDS WARRANTY. CAUTION: BOOM EXTENSION LOADS MUST NOT EXCEED MAIN BOOM CAPACITY. BOOM EXTENSION MAY ONLY CARRY LOADS WITH OUTRIGGERS DOWN. BOOM EXTENSION DEDUCT: 45 KG. WHEN STOWED ON BASE BOOM. DO NOT PICK AND CARRY WITH LOADS ON BOOM EXTENSION. ENSURE ANTI-TWO-BLOCK SWITCH IS FUNCTIONAL AFTER DEPLOYING OR STOWING BOOM EXTENSION. CAPACITIES ON OUTRIGGERS OUT & DOWN ARE 85% OF TIPPING LOADS. CAPACITIES ON RUBBER ARE 75% OF TIPPING LOADS. OTHER CAPACITIES ARE LIMITED BY STRUCTURAL BY TIPPING. OTHER CAPACITIES ARE LIMITED BY STRUCTURAL OR HYDRAULIC CAPABILITY.